

Vacpan II™ Wall Mount Installation Instructions

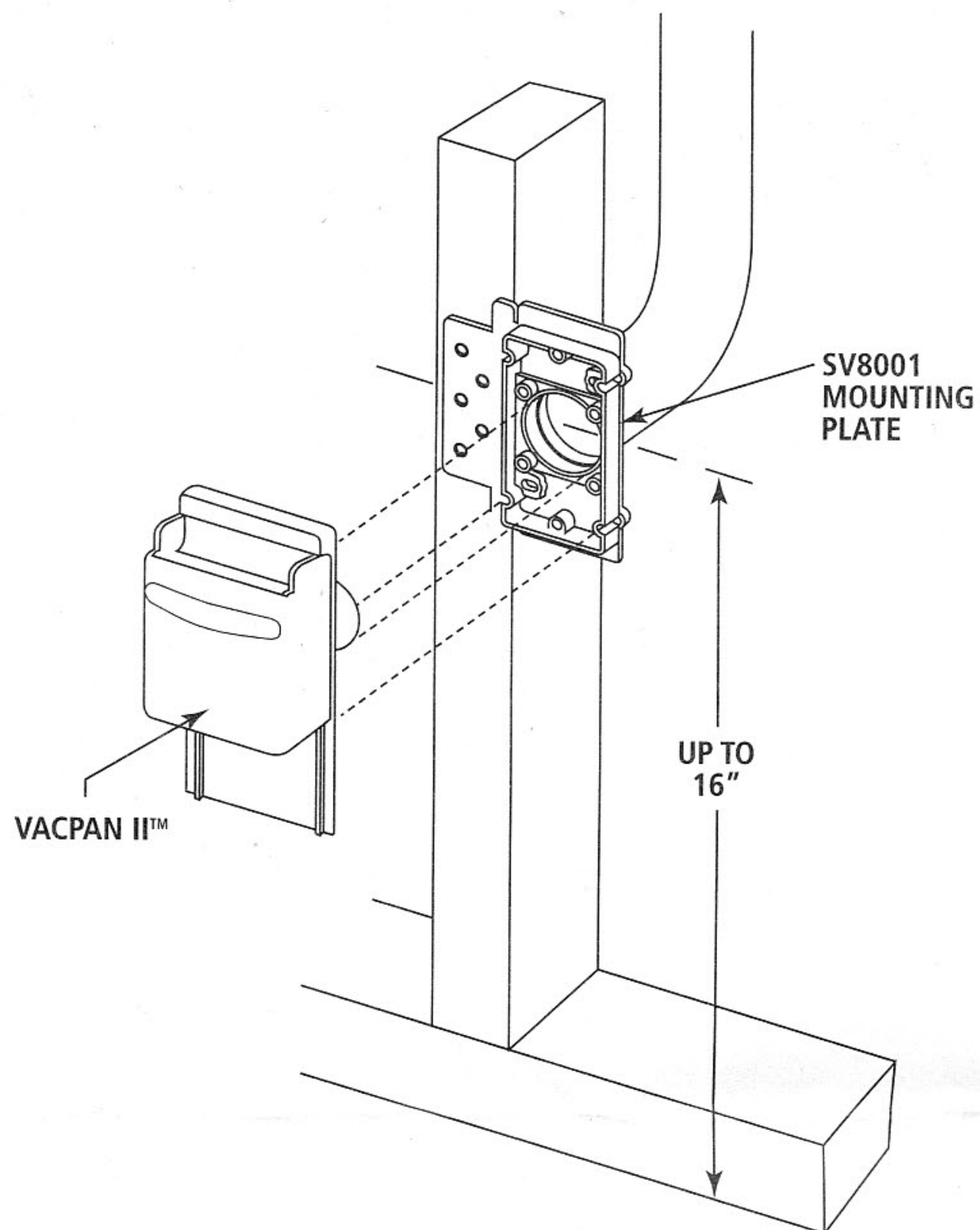
PLEASE READ INSTRUCTIONS PRIOR TO INSTALLATION

Installation Tips

- Plan the location of your VACPAN II™ to be conveniently located for sweeping clean-ups. Also consider ease of access of vacuum tube piping connections during installation.
- Use Plastiflex part #SV8001 Standard Mounting Bracket for connecting VACPAN II™ to vacuum tube piping.

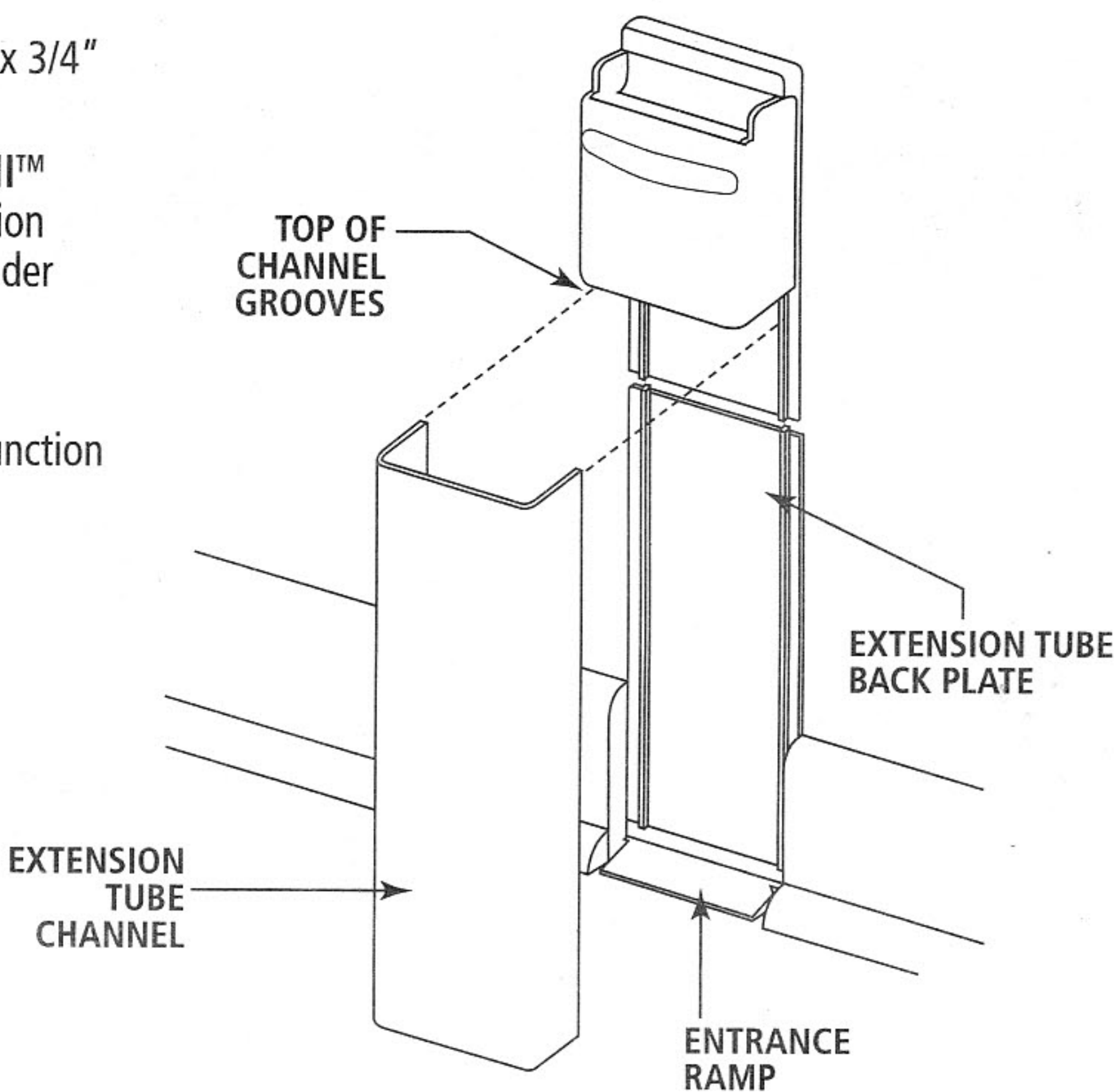
NEW CONSTRUCTION INSTALLATIONS

- VACPAN II™ Wall Mount can be installed inside any wall with a minimum stud width of 2-3/4" (70 mm).
- VACPAN II™ should be located against wall stud.
- Once the VACPAN II™ location is determined and prior to applying the wallboard, attach Plastiflex part #SV8001 Standard Mounting Bracket to the wall stud at desired height up to 16" (406 mm) from sub-floor to central vacuum tube piping.
- Run vacuum tube piping and low voltage wire from the main line to VACPAN II™ location and attach to mounting bracket.
- Allow other trades to complete house construction including finished flooring and trim.
- Remove baseboard trim from area.
- Attach low voltage wires to VACPAN II™ terminal connections.
- Slide VACPAN II™ into mounting bracket and secure to wall using two #10 x 1-1/2" screws provided. CAUTION: Do not over-tighten mounting screws as VACPAN II™ operation can be affected.
- Cut VACPAN II™ extension tube back plate to length to fit between VACPAN II™ valve and finished floor.
- Slide entrance ramp onto VACPAN II™ extension tube back plate.
- Drill two 1/8" (3 mm) holes through extension tube back plate and attach to wall using two #8 x 3/4" screws and wall plugs provided.
- Measure the distance from the finished floor to the top of the channel grooves on the VACPAN II™ valve. Subtract 1/2" (13 mm) from the measurement to allow for sweep opening. Cut the extension tube channel to the determined length. Rough cut edges can be placed at the top and hidden under VACPAN II™ top cover.
- Snap extension tube channel over extension tube pack plate and VACPAN II™ valve.
- Re-attach baseboard trim cutting it for a flush fit to your new VACPAN II™ Wall Mount - Dual Function Central Vacuum Inlet System.



EXISTING WALL INSTALLATIONS

- VACPAN II™ Wall Mount can be installed inside any wall with a minimum stud width of 2-3/4" (70 mm) or cabinet end gable.
- Once the VACPAN II™ location is determined, remove any baseboard trim from the area.
- Cut a 4-1/4" x 2 3/8" (108 mm x 60 mm) hole in the wallboard, at the desired height up to 16" (406 mm) from floor to centre of vacuum tube piping, to accept Plastiflex part #SV8001 Standard Mounting Bracket. Break off the "new construction flange" of the mounting bracket. If using other mounting brackets, cut an appropriate sized hole so that centre of vacuum tube piping is approximately 16" (406 mm) above the floor.
- Run vacuum tube piping and low voltage wire from the main line to VACPAN II™ location and attach to mounting bracket.
- Attach low voltage wires to VACPAN II™ terminal connections.
- Slide VACPAN II™ into mounting bracket and secure to wall using two #10 x 1-1/2" screws provided. CAUTION: Do not over-tighten mounting screws as VACPAN II™ operation can be affected.
- Cut VACPAN II™ extension tube back plate to length to fit between VACPAN II™ valve and finished floor.
- Slide entrance ramp onto VACPAN II™ extension tube back plate.
- Drill two 1/8" (3 mm) holes through extension tube back plate and attach to wall using two #8 x 3/4" screws and wall plugs provided.
- Measure the distance from the finished floor to the top of the channel grooves on the VACPAN II™ valve. Subtract 1/2" (13 mm) from the measurement to allow for sweep opening. Cut the extension tube channel to the determined length. Rough cut edges can be placed at the top and hidden under VACPAN II™ top cover.
- Snap extension tube channel over extension tube pack plate and VACPAN II™ valve.
- Re-attach baseboard trim cutting it for a flush fit to your new VACPAN II™ Wall Mount - Dual Function Central Vacuum Inlet System.



VACPAN II™ OPERATING INSTRUCTIONS

- VACPAN II™ Wall Mount - Dual Function Central Vacuum Inlet System can be used as both a sweep inlet and a standard hose inlet.
- For Sweep Inlet operation, slide top cover up automatically switching on central vacuum system. Sweep material to opening. When complete, slide top cover down automatically shutting off central vacuum system.
- For Standard Hose Inlet operation, ensure top cover is in fully lowered position. Grasp side finger grips in top cover and flip top cover up. The top cover will lock out of the way. Lift sprung flapper door open and insert central vacuum hose. Use your central vacuum hose as you would with any other standard inlet valve.

